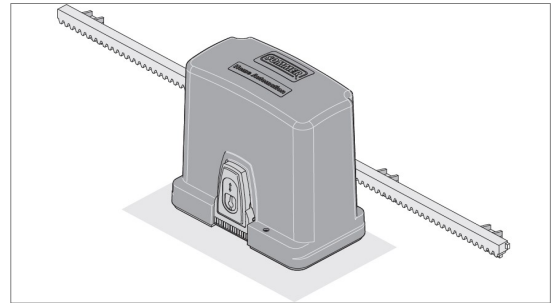


Model RUNER/RUNER+



1. Press the learn button.
 - 1x for channel 1; the LED (2.1) lights up.
 - 2x for channel 2; the LED (2.2) lights up.
 - 3x for channel 3; the LED (2.3) lights up.
 - 4x for channel 4; the LED (2.4) lights up.
 - ⇒ If no code is sent within 10 seconds, the radio receiver switches to Normal mode.
2. Press the desired hand-held transmitter button until the LED (2.1/2.2/2.3/2.4) goes out, depending which channel has been selected.
 - ⇒ LED goes out – programming is finished.
 - ⇒ The handheld transmitter has transferred the radio code to the radio transmitter.
3. Repeat the above steps to program by teach-in any additional handheld transmitters. A maximum of 112 storage locations for each radio receiver are available.

*Chanel 1 OPEN -STOP-CLOSE-STOP-OPEN-...
Chanel 2 Partial opening
Chanel 3 OPEN-STOP-OPEN ...
Chanel 4 CLOSE-OPEN-CLOSE ...

